

Pulse PRO



Features

Keypad

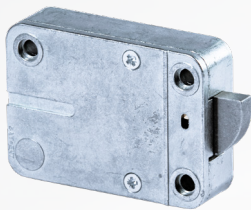
- Red LED
- Buzzer
- Keypad test
- Battery compartment
- Battery level test
- Buzzer silencing function
- 12 function keys
- Compatible with digital locks
- Compatible with analog locks

Power

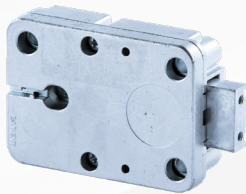
- 9V alkaline battery
- large battery box
- power supply

Locks

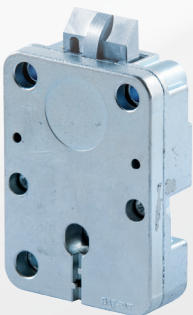
- 2 Masters
- 3 Managers
- 49 users
- 10 Time delay override users
- Codes expiry
- Time delay 1-99 minutes
- Open window 1-19 minutes
- Silent alarm
- Remote disable opening
- Remote time delay override
- Door open alarm
- Bolt status output
- Penalty
- Dallas Keys
- Dual code mode
- Audit trail with time and date (up to 5500 events)
- Automatic DST
- Pre-programmed configurations (more than 80)
- Fully configurable by keypad
- Hotel mode
- Master reset
- Hardware reset
- ERC – Emergency Rescue Code



RotoBolt



StraightBolt



SpringBolt



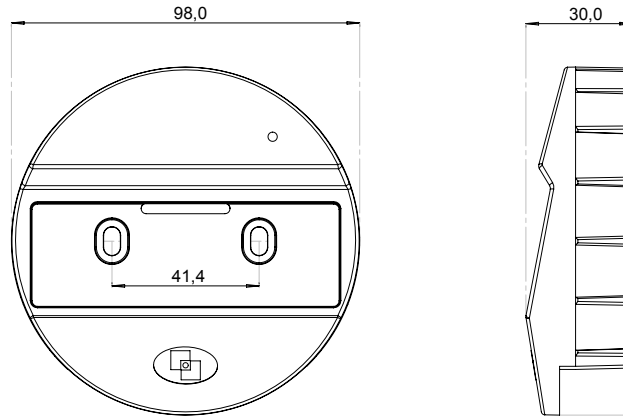
MotorLock



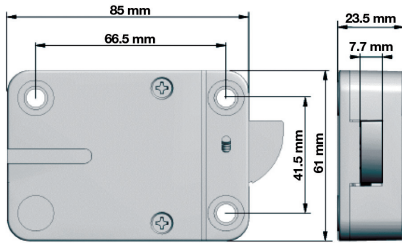
Motor SpringBolt

Pulse PRO

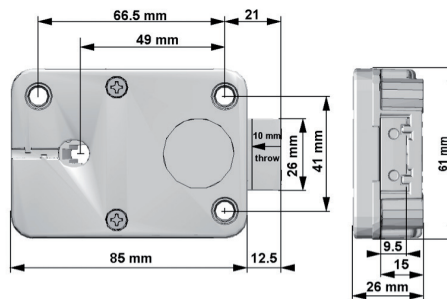
Pulse PRO



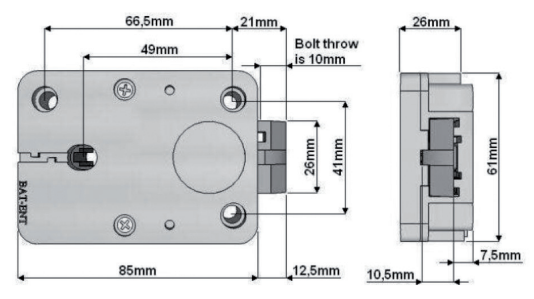
RotoBolt



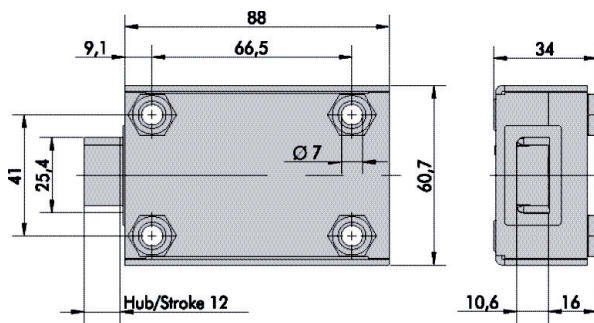
StraightBolt



SpringBolt



MotorLock



Motor SpringBolt

